

INSTRUCTION TO BIDDERS

- GM1 THE SUPPLIER MUST ADHERE TO THE FOLLOWING SPECIFICATIONS IN ORDER TO COMPLETE THE PROPOSAL.
- GM2 THE REFERENCED INFORMATION IS NOT REQUIRED TO BE COMPLIED WITH. IT REPRESENTS THE DESIGN ORIENTATION, THE SHAPE, THE QUALITY AND THE PRICE RANGE DESIRED. THE PROPOSED PRODUCT MAY COME FROM ANOTHER MANUFACTURER.
- GM3 DIMENSIONS MENTIONED ON THE PLANS AND/OR UNIT PRICE FORM MAY BE SLIGHTLY MODIFIED ACCORDING TO THE SUGGESTED PRODUCT STANDARDS AS LONG AS THE PRODUCT STILL FITS IN THE FLOOR PLAN WITHOUT ANY MODIFICATION TO THE QUANTITIES, DESIGN, ARCHITECTURE, ETC.
- GM4 THE SUPPLIER MUST COMPLETE THE APPROPRIATE SUBMISSION FORM WHEN RESPONDING TO THE RFP. THE REFERENCE "INCLUDED IN ..." IS NOT ACCEPTABLE.
- GM5 THE SUPPLIER MUST SUBMIT HIS OWN FLOOR PLAN WITH THIS RFP, SHOWING ALL THE SUGGESTED PRODUCTS. THE NUMBERING MUST BE RESPECTED AND SHOULD REMAIN VISIBLE ON THIS PLAN.
- GM6 THE SUPPLIER MAY PROPOSE ONE OR MORE ALTERNATIVE OPTIONS FOR EACH ITEM IF SO DESIRED.
- GM7 THE FURNITURE'S DESCRIPTION SHALL PREVAIL ON THE PLANS.
- GM8 ALL MEASUREMENTS IN THE PERFORMANCE CRITERIA DOCUMENTS ARE IN INCHES.
- GM9 SUPPLIER MUST SUGGEST PRODUCTS THAT WILL BE AVAILABLE FOR A PERIOD OF 25 YEARS AND/OR FOR WHICH FUTURE GENERATION WILL ADAPT TO THE PREVIOUS ONES.

PERFORMANCE MANDATORY CRITERIA

WORKSTATIONS AND DESKS: A1, A2, A3

1. THE WORK SURFACES MUST BE CONSTRUCTED OF HIGH DENSITY PARTICLE BOARD AND COVERED WITH PLASTIC LAMINATE, .79 MM (1/32") THICK OR MORE.
2. THE SURFACE MUST HAVE A MINIMUM OF 29 MM (1 1/8 ") THICK AND AN (ABS OR PVC) EDGE OF 3 MM (1/8") THICK OR MORE.
3. ALL SPECIFIED FINISHES MUST COME FROM THE STANDARD SELECTION AND RESPECT THE CRITERIA INCLUDED IN THIS RFP.
4. FOR ALL DIMENSIONS SEE THE FURNITURE DRAWINGS AND TYPICAL WORKSTATION APPENDIXES.
5. FIXED HEIGHT: 730MM (29"), +/- 25MM (1") WHEN MEASURED FROM THE FLOOR.
6. INCREMENTAL ADJUSTMENT: 25MM (1")
7. TYPE OF SUPPORTS: FULL PANELS, RECESSED PANELS, COLUMNS, PEDESTALS, COMPLETE WITH LEVELLING MECHANISM WITH VERTICAL ADJUSTMENT OF AT LEAST 25 MM (1")
8. MODESTY PANELS: SEE APPENDIX FOR MORE DETAILS.
9. STORAGE: REFER TO IMAGES BESIDES. ALL STORAGE TO BE PAINTED METAL AND/OR HPL. FIXED B/B/F PEDESTAL (NO CASTERS), WITH LOCK.
10. ELECTRICAL AND VOICE/DATA MANAGEMENT: WORKSTATION AND DESK WILL BE BASE-FEED FROM THE FLOOR (CONCRETE SLAB) OR FROM THE WALL. CONSIDER 2 DUPLEX, 2 DATA AND 1 BLANK PER WORKSTATION.
11. PARTITIONS WHERE APPLICABLE.

PERFORMANCE MANDATORY CRITERIA

13. ACCESSORIES:
- A. LOCKS:
- a. SUPPLY KEY-ACTIVATED LOCKS FOR DOORS AND DRAWERS.
 - b. PROVIDE TWO (2) KEYS PER LOCK.
 - c. PROVIDE ONE (1) KEY PATH PER WORKSTATION.
 - d. CABLE TRAY.
 - e. CABLE MANAGEMENT.
 - f. 2 GROMMETS PER WORKSTATION.
 - g. U-SHAPE SILVER HANDLES OR EQUIVALENT.
- B. CPU HOLDERS:
- a. MUST ADJUST TO FIT CPUS 3.6" TO 9" WIDE BY 12" TO 20" HIGH
 - b. MUST SLIDE SMOOTHLY ON NYLON GLIDES IN 16" TRACK
 - c. MUST SUPPORT CPUS UP TO THIRTY (30) POUNDS
 - d. MUST ROTATE A FULL 360 DEGREES FOR COMPLETE ACCESS TO CABLES AND PORTS
 - e. MUST HAVE ADJUSTABLE MOUNTING PLATE ENSURING THAT THE CPU WILL BE CENTERED AND BALANCED.
- C. ERGONOMIC UNDERMONT KEYBOARD TRAY INCLUDING MOUSE SUPPORT

TABLES (C1, C2, C3)

1. MATERIALS: ADHERE TO THE DESCRIPTION LISTED IN THE APPENDIX. ALL FINISHES TO BE SELECTED FROM THE STANDARD FINISHES CHARTS AND COMPLY WITH THE CRITERIA.
2. THE WORK SURFACES MUST BE CONSTRUCTED OF HIGH DENSITY PARTICLE BOARD AND COVERED WITH PLASTIC LAMINATE, .79 MM (1/32") THICK OR MORE.
3. THE SURFACE MUST HAVE A MINIMUM OF 29 MM (1 1/8 ") THICK AND AN (ABS OR PVC) EDGE OF 3 MM (1/8") THICK OR MORE.
4. INCREMENTAL ADJUSTMENT: 25MM (1")
5. FOR ALL DIMENSIONS SEE APPENDIXES.
6. FIXED HEIGHT: 730MM (29"), +/- 25MM (1") WHEN MEASURED FROM THE FLOOR.
7. ELECTRICAL AND VOICE/DATA MANAGEMENT (IF APPLICABLE)
8. ALL ELECTRIFIED TABLES TO BE BASE-FEED UNLESS MENTIONED OTHERWISE. CABLING COMING FROM FLOOR / SLAB MUST BE HIDDEN INSIDE A TABLE LEG OR A "SQUELETON" DEPENDING ON THE PROPOSED MODEL.
9. PROVIDE TABLE MONUMENTS WITH:
 1. 1 DUPLEX PER 4 PERSONS (PLUG-IN)
 2. 1 DATA PER 2 PERSONS (HARD WIRING)
 3. 1 HDMI CONNECTION FOR TELEVISION SCREEN (HARD WIRING)

OFFICE SEATING (B1, B2, B5)

1. MATERIALS: ADHERE TO THE DESCRIPTION LISTED IN THE APPENDIX. ALL FINISHES TO BE SELECTED FROM THE STANDARD FINISHES CHARTS AND COMPLY WITH THE CRITERIA.
2. ERGONOMIC TASK CHAIR ARMREST: URETHANE FINISH, ADJUSTABLE HEIGHT, WIDTH AND ANGLE ; MEETING CHAIR ARMREST: URETHANE FINISH, NOT ADJUSTABLE. ADHERE TO THE DESCRIPTION LISTED IN THE APPENDIX.
3. FABRICS: GRADE 3 OR HIGHER WITH MINIMUM ABRASION RESISTANCE OF 100 000 DOUBLE RUBS. A MINIMUM OF 60% OF NATURAL FIBER (COTON, WHOOOL...) IS REQUESTED. ALL FABRICS MUST GET AN ANTI-STAIN TREATMENT.
4. ALL SEATS MUST HOLD A WEIGHT OF 350 POUNDS.
5. WIDE SEATS ARE MANDATORY
6. CENTRAL PIVOT, 4 LEGS OR SLEIGH BASE, ADHERE TO THE DESCRIPTION LISTED IN THE APPENDIX.
7. CASTERS ACCORDING TO THE FLOOR WHERE APPLICABLE.
8. ERGONOMIC TASK CHAIRS MUST BE FULLY ADJUSTABLE AND INCLUDE LUMBAR SUPPORT.

PERFORMANCE MANDATORY CRITERIA

9. MEETING CHAIR MUST BE ADJUSTABLE IN HEIGHT AND DEPTH, BUT HAVE FIXED ARMS. NO LUMBAR SUPPORT.
10. VISITOR SEATS ARE NOT ADJUSTABLE.

CHAIRS (B3, B4):

1. MATERIALS: POLYPROPYLENE OR VINYL, ADHERE TO THE DESCRIPTION LISTED IN THE APPENDIX. ALL FINISHES TO BE SELECTED FROM THE STANDARD FINISHES CHARTS AND COMPLY WITH THE CRITERIA.
2. NO ARMREST
3. ALL SEATS MUST HOLD A WEIGHT OF 350 POUNDS.
4. WIDE SEATS ARE MANDATORY.
5. FOUR LEGS OR SLEIGH BASE, ADHERE TO THE DESCRIPTION LISTED IN THE APPENDIX.

ANCHORED CHAIRS (D1):

1. MATERIALS: BASE FRAME MATERIALS - REFER TO INFORMATION BELOW ; SEAT MATERIAL : FIRE-RETARDANT, HIGH-IMPACT POLYETHYLENE WITH ULTRAVIOLET LIGHT STABILIZERS
2. BASE FRAME : BENT AND WELDED TUBULAR STEEL AND FLAT STEEL PLATE SUPPORT, WELDED TO THE FRAME ; 2" DIAMETER, 14 GAUGE STEEL WITH 11 GAUGE STEEL SEAT SUPPORTS
3. BOLT-DOWN INSTALLATION
4. ARMREST: NONE
5. SEATS : ONE-PIECE SEAT AND BACK WITH MOLDED-IN THREADED STEEL INSERTS
6. ALL SEATS MUST HOLD A WEIGHT OF 350 POUNDS.
7. WIDE SEATS ARE MANDATORY.
8. EASY TO CLEAN SEAT SURFACE, CHEMICALLY RESISTANT TO BLOOD, VINEGAR, URINE, FECES, SALT SOLUTION AND CHLORINE SOLUTION

CABINETS (E1, E2):

1. FINISHING: PAINTED METAL AND/OR HPL, MATCHING FINISHES WITH WORKSTATIONS A1, A2 AND A3.
2. ALL FINISHES TO BE SELECTED FROM THE STANDARD FINISHES CHARTS AND COMPLY WITH THE CRITERIA
3. CASTERS ACCORDING TO FLOOR WHERE APPLICABLE
4. HARDWARE: DRAWERS WITH BALL BEARING SLIDES, FULL EXTENSION DRAWERS. PROVIDE FOR FILE HOLDERS IN ALL FILLING DRAWERS (10 PER DRAWER MUST BE INCLUDED IN THE PRICE)
5. SECURITY: PROVIDE 1 LOCK PER CABINET. 2 COPIES OF EACH KEY MUST BE PROVIDED AT DELIVERY. IN ADDITION TO 5 COPIES OF THE MASTER KEY.
6. PROVIDE FOR LONGER ADJUSTABLE FEET FOR AN EASIER LEVELING OF LONG SERIES OF LEVELING CABINETS.
7. FILING CABINET TOP (WHERE APPLICABLE): HIGH PRESSURE LAMINATED PANELS TO MINIMUM THICKNESS OF 1 INCH WITH ABS EDGES (NO PVC). STANDARD FINISH.

OPEN SHELVINGS (E3):

1. BRAND: FEDERAL STEEL OR EQUIVALENT.
2. THE SHELVING MUST BE IN METAL AND HAVE THE FOLLOWING COMPONENTS:
 - a. A MINIMUM OF FIVE (5) SHELVES
 - b. LEVELERS
 - c. COLOUR: GREY
 - d. INCREMENTAL ADJUSTEMENT 25 MM (1")

LOCKERS (F1, F2):

1. POWER COATED, METAL LOCKER
2. METAL GAGE: 16GA.MINIMUM
3. HEAVY DUTY VENTILATED DOOR WITH PERFORATIONS
4. ENCLOSED BASE
5. STAINLESS STEEL HANDLE
6. CONTINUOUS DOOR STRIKES
7. THREE (3) HOOKS + 1 SHELF PER LOCKER
8. LOCK: KEYED PADLOCK

NOTES GENERALES / GENERAL NOTES

L'ENTREPRENEUR SERA TENUE RESPONSABLE DE TOUTES LES DIMENSIONS ET TOUTES LES CONDITIONS DE COMMANDE ET D'INSTALLATION. IL SERA RESPONSABLE DE TOUTES LES MODIFICATIONS ET/OU DES AJUSTEMENTS. LE CLIENT NE SERA PAS RESPONSABLE DE TOUTES LES MODIFICATIONS ET/OU DES AJUSTEMENTS. LE CLIENT NE SERA PAS RESPONSABLE DE TOUTES LES MODIFICATIONS ET/OU DES AJUSTEMENTS. LE CLIENT NE SERA PAS RESPONSABLE DE TOUTES LES MODIFICATIONS ET/OU DES AJUSTEMENTS.

LE BUREAU DE TRAVAI SERA RESPONSABLE DE TOUTES LES DIMENSIONS ET TOUTES LES CONDITIONS DE COMMANDE ET D'INSTALLATION. LE CLIENT NE SERA PAS RESPONSABLE DE TOUTES LES MODIFICATIONS ET/OU DES AJUSTEMENTS. LE CLIENT NE SERA PAS RESPONSABLE DE TOUTES LES MODIFICATIONS ET/OU DES AJUSTEMENTS. LE CLIENT NE SERA PAS RESPONSABLE DE TOUTES LES MODIFICATIONS ET/OU DES AJUSTEMENTS.

NO.	REV.	DATE	DESCRIPTION

SCHEAU / SEAL

PLAN CLE / KEY PLAN

A2DESIGN

415 RUE SAINT-NICOLAS, 68E, 10E LOCAL, 102-107 205, 2006-2012, 2013-2014, 2015-2016, 2017-2018, 2019-2020

CLIENT	
PROJET / PROJECT	18-1078
E.E.P.F. DETACHMENT IN WASKAGANISH	

TITRE DU DESSIN / DRAWING TITLE	
FURNITURE PERFORMANCE CRITERIA	

CONCU PAR / DESIGNED BY	CLAIRE DE CHAMPLAIN
DESSINE PAR / DRAWN BY	JULIETTE MEFFREDDY
VERIFIE PAR / CHECKED BY	LUCIE LADOUCEUR
ECHELLE / SCALE	1/8" = 1'-0"
REFERENCE	PAGE REVISION

3-00-1

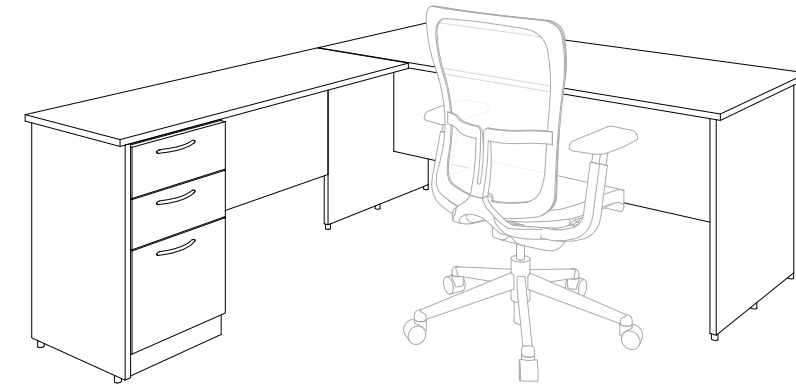
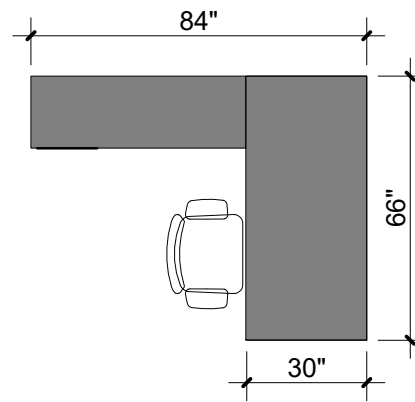
D:\G-REV\181078\03_CNC_WASKAGANISH_A1E_andrea.mca.rvt
Revit, 2017
2018-10-16 10:38:07
DATE D'IMPRESSION / PRINT DATE

04. FURNITURE PERFORMANCE CRITERIA

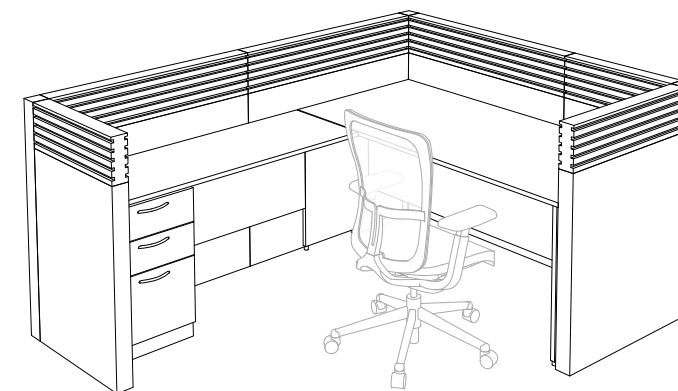
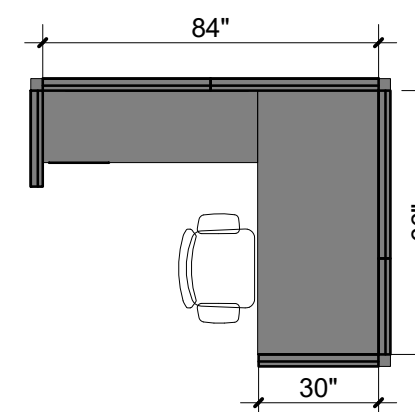
APPENDIX A

LOT 1 - WORKSTATIONS

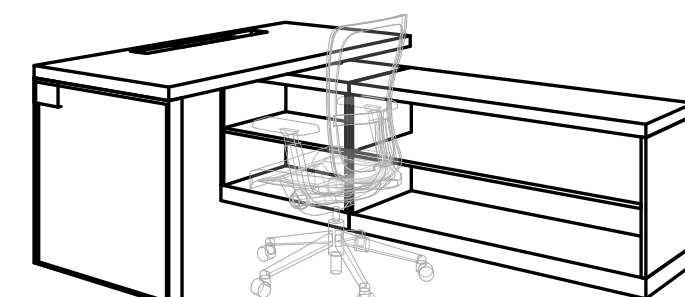
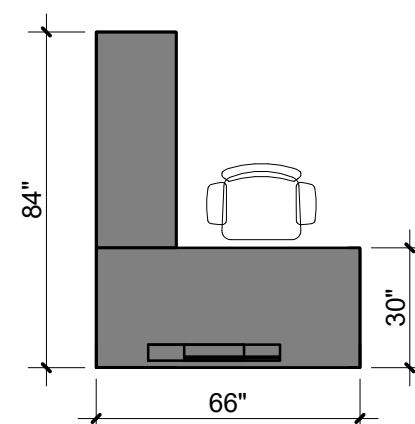
A1 : FREE-STANDING - "L" SHAPE :
DIMENSIONS : 5'-6" x 7'-0" x 29"H
WITH FIXED BBF WITH LOCK
POWER/DATA FROM WALL



A2 : FREE-STANDING - "L" SHAPE WITH PARTITIONS :
DIMENSIONS : 5'-6" x 7'-0" x 29"H
WITH FIXED BBF WITH LOCK
PARTITIONS : METAL FRAME, FABRIC AND/OR METAL TILES, RAILING FOR ACCESSORIES
BASE-FEED ELECTRIFIED. SEE PLAN.



A3 : FREE-STANDING - PRIVATE OFFICE - "L" SHAPE :
DIMENSIONS : 5'-6" x 7'-0" x 29"H
WITH FIXED BBF WITH LOCK
POWER/DATA FROM WALL OR BASE-FEED ELECTRIFIED. SEE PLAN.



LOT 2 - OFFICE SEATING

B1 : ERGONOMIC TASK CHAIR - WORKING

SEAT : UPHOLSTERED
BACK : MESH
BASE : CENTRAL PIVOT
CASTERS : HARD SURFACE
ARMS : ADJUSTABLE
FULL ADJUSTABILITY REQUIRED, INCLUDING LUMBAR SUPPORT



B2 : TASK CHAIR - MEETING

SEAT : UPHOLSTERED
BACK : MESH
BASE : CENTRAL PIVOT
CASTERS : HARD SURFACE
ARMS : NOT ADJUSTABLE



B3 : VISITOR CHAIR

SEAT : POLYPROPYLENE
BACK : POLYPROPYLENE
BASE : SLED OR 4 LEGS
CASTERS : NONE
ARMS : NONE



B4 : VISITOR CHAIR - OPERATION AREA

SEAT : POLYPROPYLENE
BACK : POLYPROPYLENE
BASE : 4 LEGS
CASTERS : NONE
ARMS : NONE



B5 : ERGONOMIC STOOL

SEAT : UPHOLSTERED
BASE : CENTRAL PIVOT
28" BASE FOR MORE STABILITY
CASTERS : HARD SURFACE
ADJUSTABLE FOOTREST RING
BACKREST REQUIRED
ARMS : NONE
FULL ADJUSTABILITY REQUIRED

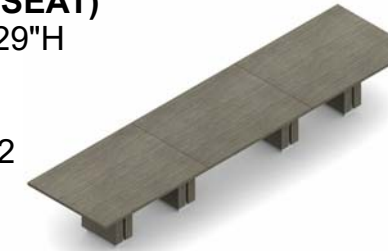


LOT 3 - TABLES

C1 : CONFERENCE TABLE (4 SEAT)
DIMENSIONS : 72"W x 42"D x 29"H
SURFACE : LAMINATE
LEGS : METAL OR LAMINATE
POWER/DATA FROM WALL



C2 : CONFERENCE TABLE (16 SEAT)
DIMENSIONS : 204"W x 70"D x 29"H
SURFACE : LAMINATE
LEGS : LAMINATE
POWER/DATA FROM FLOOR - 2 OUTLETS ON SURFACE



C3 : RECTANGULAR TABLE
DIMENSIONS : 5'-0" x 2'-6" x 29" H
POWER/DATA FROM WALL
SURFACE : LAMINATE
LEGS : METAL OR LAMINATE



LOT 4 - CHAIRS

D1 : ANCHORED VISITOR CHAIR (3 SEAT)

SEAT : FIRE-RETARDANT HIGH-IMPACT POLYETHYLENE
BACK : FIRE-RETARDANT HIGH-IMPACT POLYETHYLENE
BASE : 2" DIAMETER, 14 GAUGE STEEL WITH 11 GAUGE STEEL SEAT SUPPORTS



LOT 5 - STORAGE

E1 : 5 DRAWER FILING CABINET
DIMENSIONS : 48" W x 18" D x 65.25" H
SURFACES : METAL
1 LOCK PER DRAWER



E2 : 2 DRAWER FILING CABINET
DIMENSIONS : 48" W x 18" D x 29" H
SURFACES : METAL
1 LOCK PER DRAWER



E3 : SHELVING WITH ADJUSTABLE METAL SHELVES - 6 SHELVES
DIMENSIONS : 36" W x 15" D x 78" H
SURFACES : METAL



LOT 7 - EQUIPMENT

G1 : TOP FREEZER REFRIGERATOR (1 UNIT)
DIMENSIONS : 30" W x 32" D x 67" H



G2 : MICROWAVE (1 UNIT)
DIMENSIONS : 21" W x 17" D x 12.5" H



G3 : FILTER COFFEE MACHINE (1 UNIT)
DIMENSIONS : 8" W x 10.5" D x 14" H
CAPACITY : MIN. 12 CUPS



G4 : DISHWASHER (1 UNIT)
DIMENSIONS : 23.88" W x 24.5" D x 34.5" H



G5 : TELEVISION (1 UNIT)
DIMENSIONS : 80" SCREEN
FLAT SCREEN, SMART TV, LED INCLUDING TV WALL MOUNTS



G6 : TELEVISION (1 UNIT)
DIMENSIONS : 42" SCREEN
FLAT SCREEN, SMART TV, LED INCLUDING TV WALL MOUNTS



LOT 6 - LOCKER ROOM FURNITURE

F1 : SINGLE LOCKERS
DIMENSIONS : 18"W x 21"D x 78"H
SURFACES : METAL
1 LOCK PER LOCKER



NOTES GENERALES / GENERAL NOTES

L'ENTREPRENEUR VEUILLE VÉRIFIER TOUTES LES DIMENSIONS ET TOUTES LES CONDITIONS DE CHARGEMENT... (Small text detailing project requirements and liability.)

SCÉAU / SEAL

NO.	REV.	DATE	DESCRIPTION

PLAN CLE / KEY PLAN

A2DESIGN

415 RUE SAINT-MICHAEL, SUITE 100, MONTRÉAL, QUÉBEC H3T 1P5
514 379-9822 - a2-design.ca

CLIENT

PROJET / PROJECT

18-1078

E.E.P.F. DETACHMENT IN WASKAGANISH

TITRE DU DESSIN / DRAWING TITLE

FURNITURE CRITERIA

CONÇU PAR / DESIGNED BY

CLAIRE DE CHAMPLAIN

DESSINÉ PAR / DRAWN BY

JULIETTE MEFFREDDY

VÉRIFIÉ PAR / CHECKED BY

LUCIE LADOUCEUR

ECHELLE / SCALE

1/4" = 1'-0"

REFERENCE

PAGE REVISION

3-00-2